

PART NUMBER: ETS150400UTC-P5P-SZ**DESCRIPTION:** switching power supply**INPUT**

| | |
|---------------------------|--|
| rated input voltage | 100 V ~ 240 V ac |
| input voltage range | 90 V ~ 264 V ac |
| rated frequency | 50~60 Hz |
| frequency range | 47~63 Hz |
| rated input current | 1.5 A RMS max. |
| inrush current | 50 A max. at 115 / 100 A max. at 230 V ac cool start |
| no load power consumption | 0.5 W max. (CEC compliant) |

OUTPUT

| | |
|--------------------------|--|
| output voltage | 15 V dc at 4 A |
| output min. current | 0 A |
| line regulation | ± 1% |
| load regulation | ± 5% |
| over voltage protection | 24.3 V max. (full load, output shutdown) |
| short circuit protection | output shut down and auto restart |
| ripple voltage | 240 mV (p-p) (100~240 V ac at full load) |
| efficiency | meets Energy Star / CEC Level IV |

SAFETY & EMI

| | | |
|-----------------------|--|---------------------------------|
| HI-POT | input to output | 1500 V ac at 10 mA for 1 minute |
| insulation resistance | input to output | > 100 M Ohm at 500 V dc |
| safety approvals | UL/cUL, CE, TUV/GS | |
| EMI standard | FCC part 15 class B, CE, meets VCCI class II | |
| RoHS compliant | yes | |
| leakage current | 3.5 mA max. | |

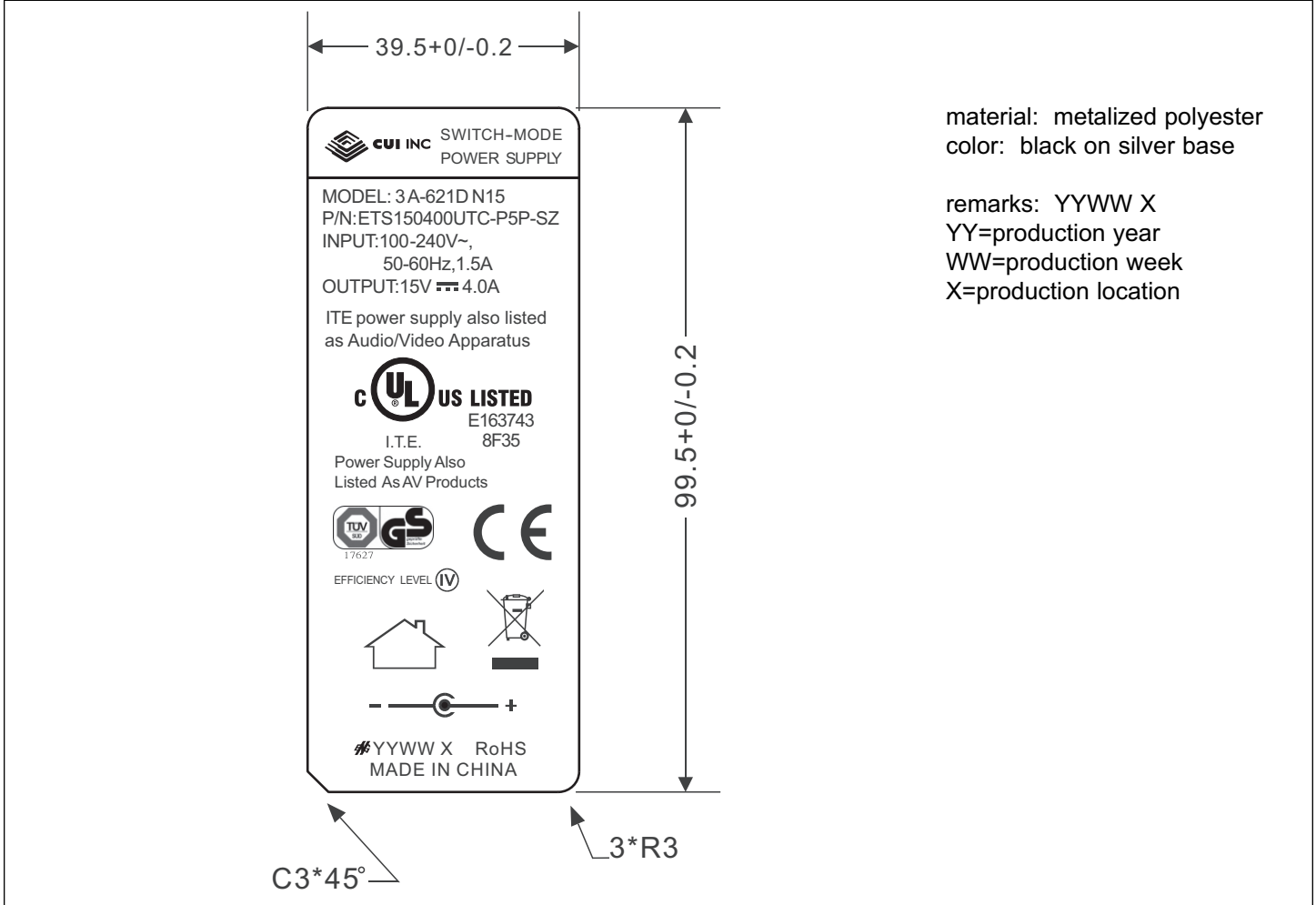
ENVIRONMENTAL

| | |
|-----------------------|----------------|
| storage temperature | -10°C ~ +70° C |
| operating temperature | 0°C ~ +40° C |
| storage humidity | 10~90% |
| operating humidity | 20~80% |

PART NUMBER: ETS150400UTC-P5P-SZ

DESCRIPTION: switching power supply

LABEL

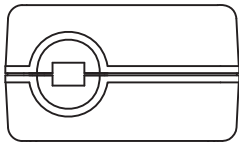
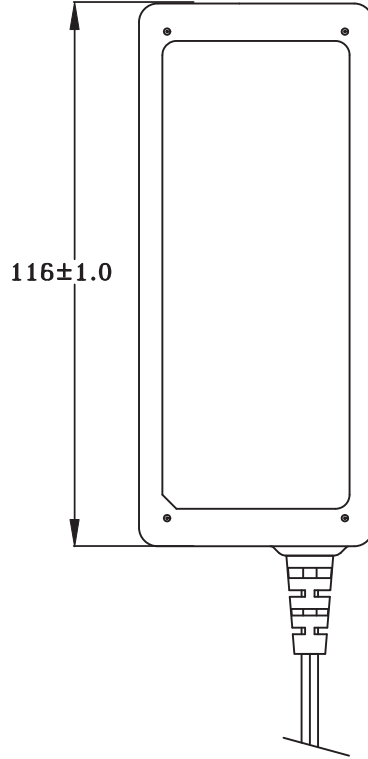
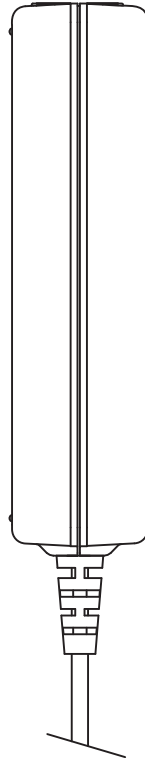
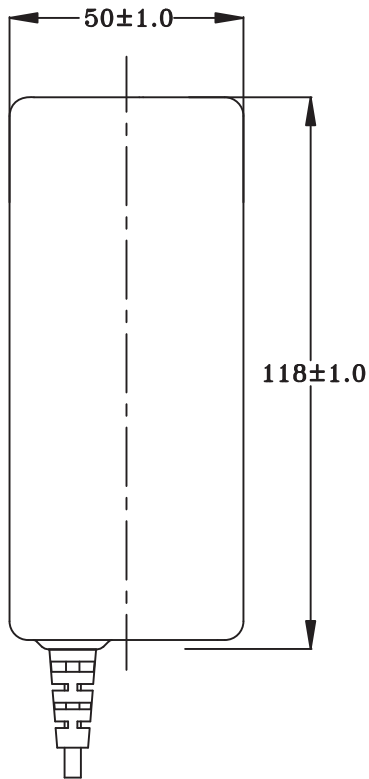
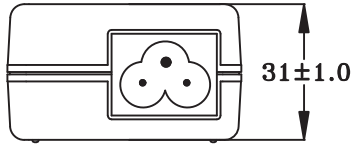


PART NUMBER: ETS150400UTC-P5P-SZ

DESCRIPTION: switching power supply

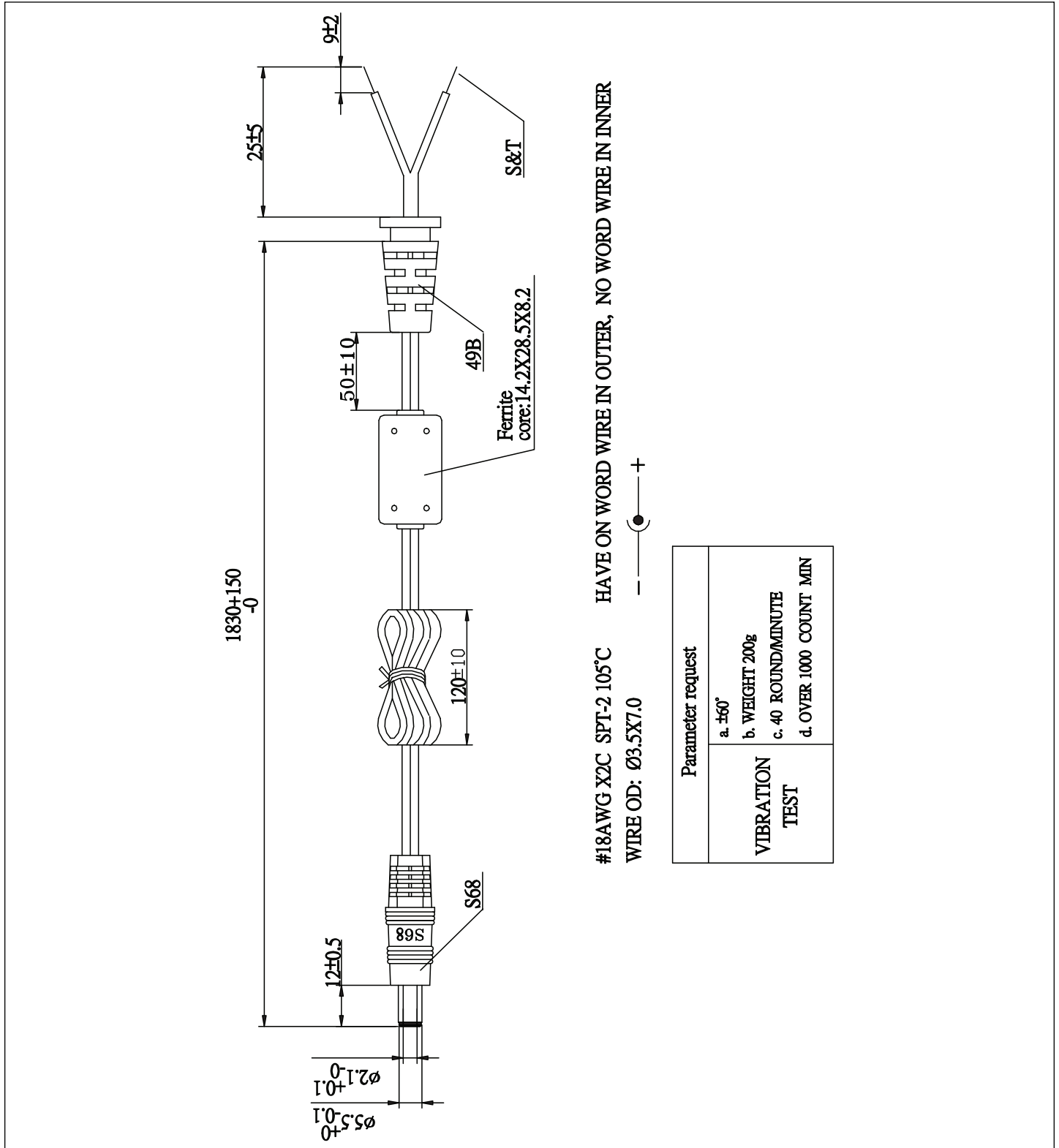
MECHANICAL DRAWING

| | |
|------------|------------------------|
| input plug | Inlet IEC320/C6 type |
| weight | 485 g |
| case size | 116 L x 50 W x 31 H mm |
| | tolerance: ± 1 |



PART NUMBER: ETS150400UTC-P5P-SZ

DESCRIPTION: switching power supply

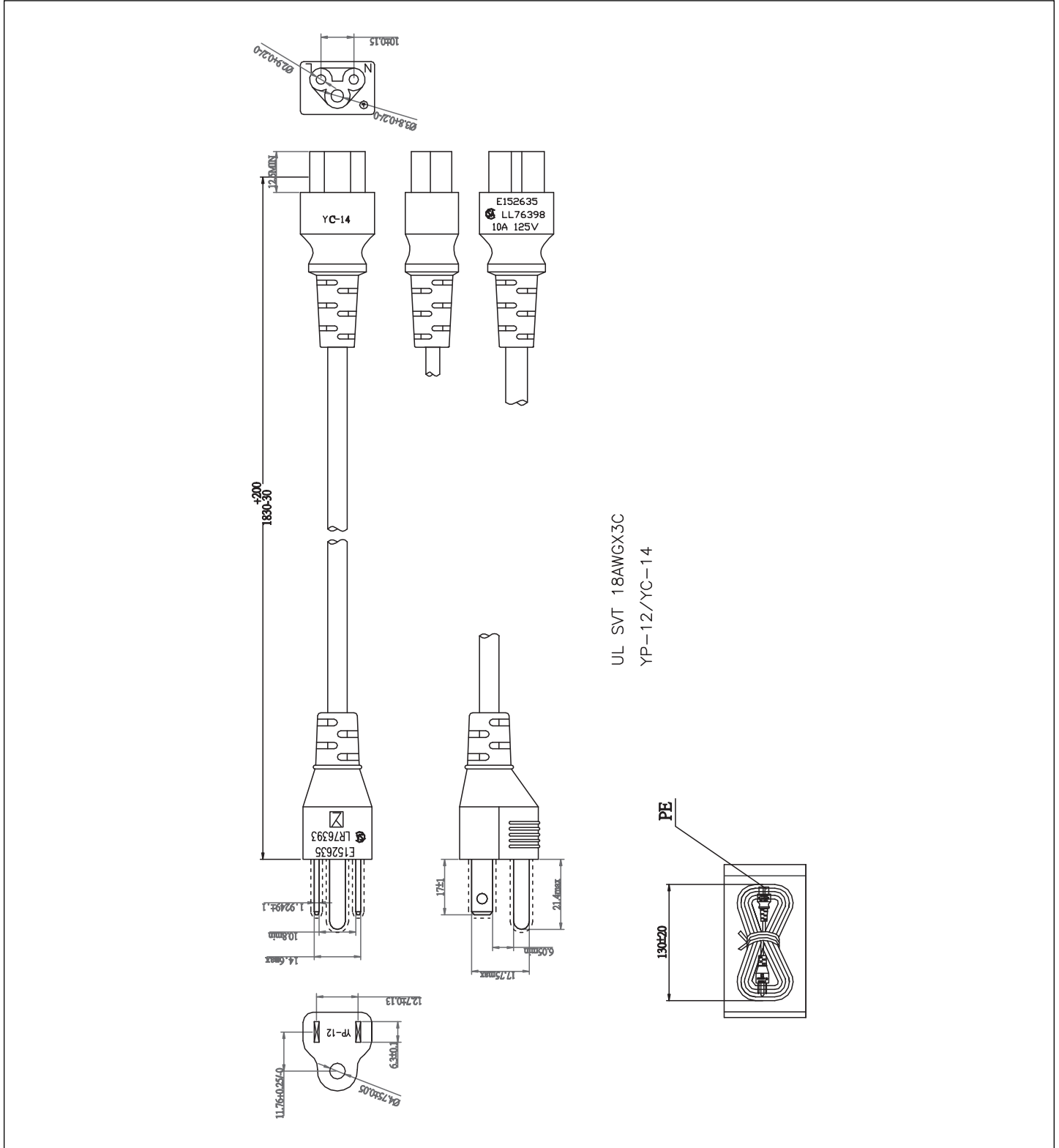
DC CORD


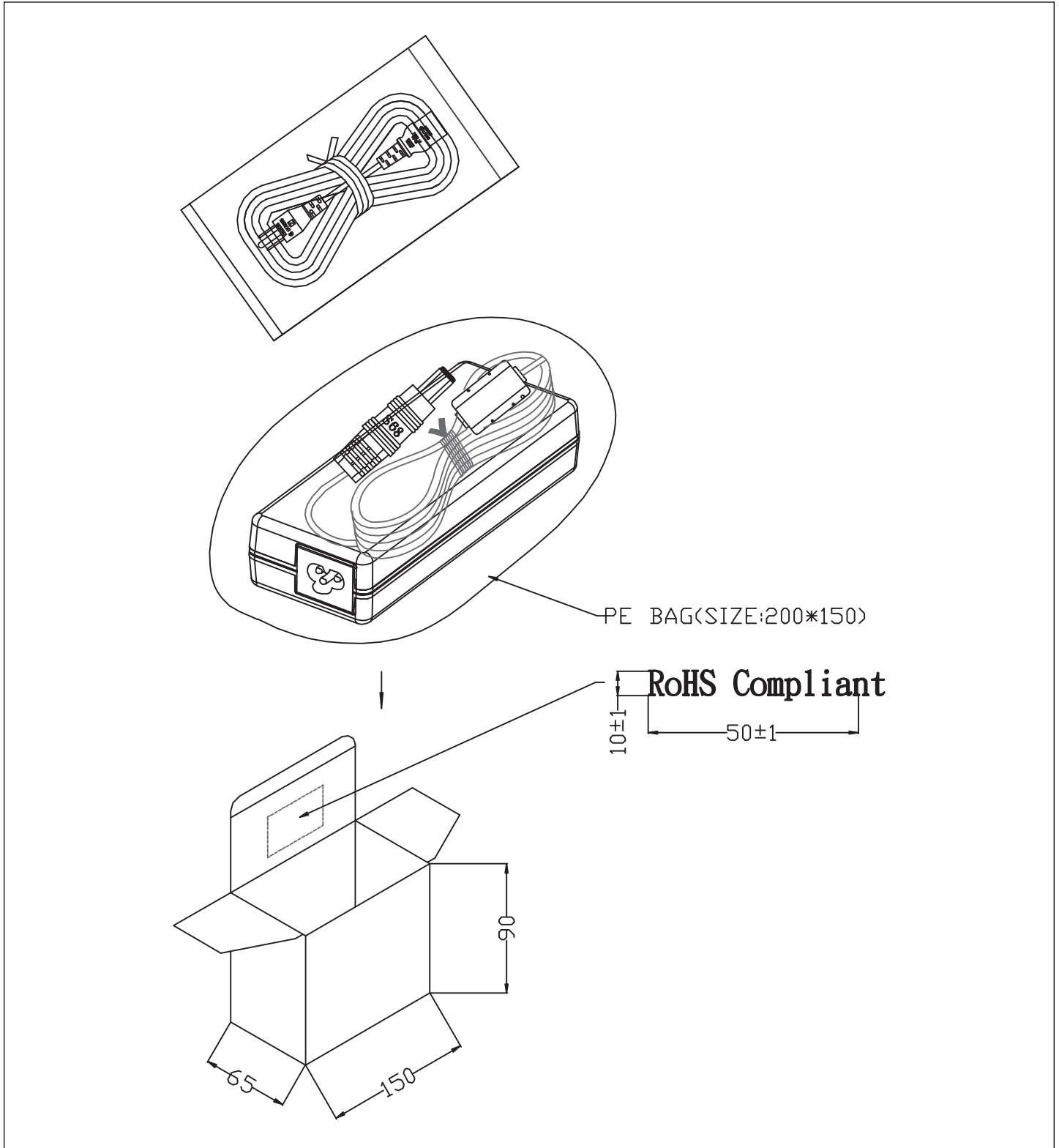
#18AWG X2C SPT-2 105°C HAVE ON WORD WIRE IN OUTER, NO WORD WIRE IN INNER
 WIRE OD: $\phi 3.5 \times 7.0$

| | |
|-----------------------|--|
| VIBRATION TEST | Parameter request |
| | a. $\pm 60'$ b. WEIGHT 200g c. 40 ROUND/MINUTE d. OVER 1000 COUNT MIN |

PART NUMBER: ETS150400UTC-P5P-SZ

DESCRIPTION: switching power supply

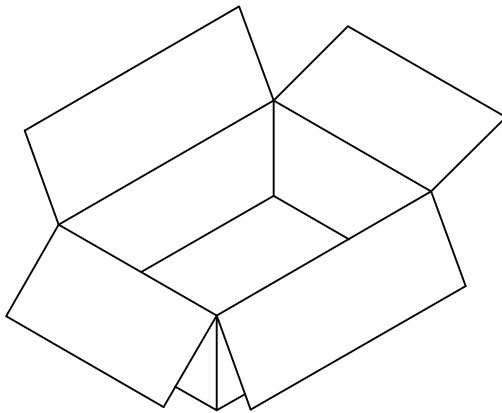
AC CORD


PART NUMBER: ETS150400UTC-P5P-SZ**DESCRIPTION:** switching power supply**INDIVIDUAL PACKAGING**

PART NUMBER: ETS150400UTC-P5P-SZ**DESCRIPTION:** switching power supply**PACKAGING**

CARTON SIZE: 480X477X167mm

Q'TY: 30pcs(15x2x1)

N.W:14.5 KGS**G. W: 15.0 KGS****G. W: 15.8 KGS****"RoHS Compliant"**